

**The choice is  
clear as water.**

**CITY MULTI – the world's  
first water-source, modular  
575V VRF system**

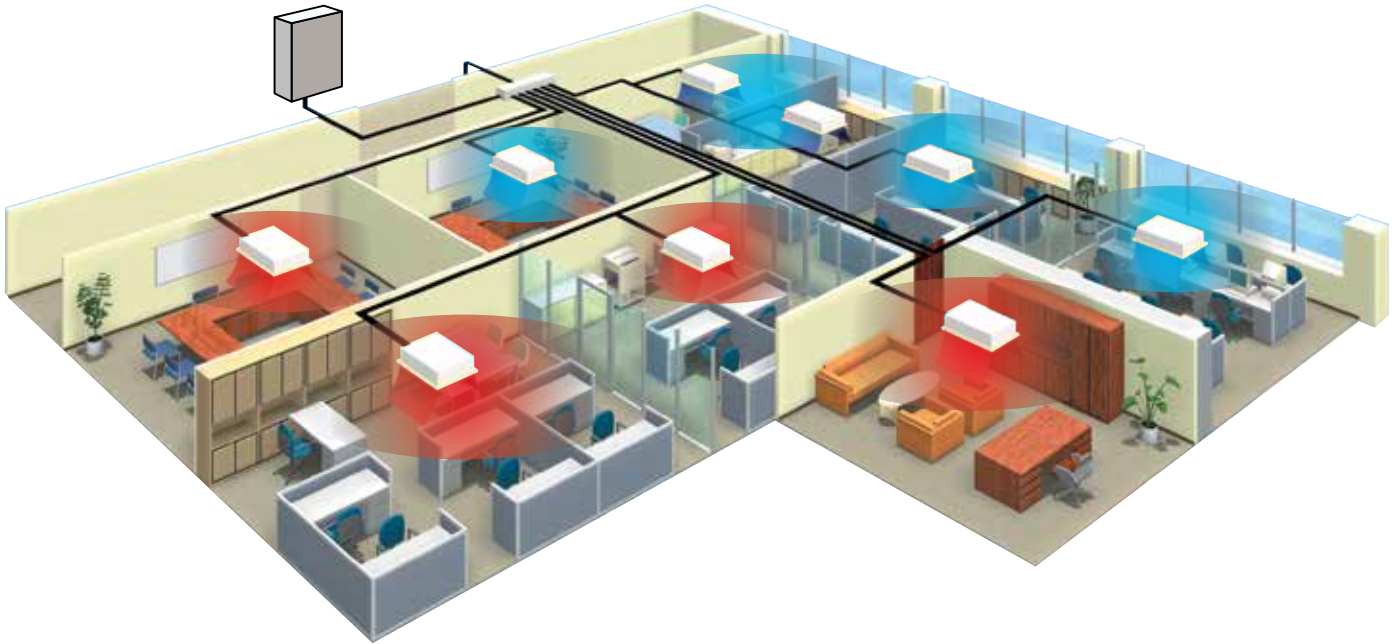
**CITY MULTI**  
MULTIPLE SPLIT-TYPE VRF SYSTEMS



 **MITSUBISHI  
ELECTRIC**  
*Changes for the Better*

# CITY MULTI WATER SOURCE – ULTIMATE COMFORT, MAXIMUM SAVINGS

CITY MULTI WATER SOURCE IS A STATE-OF-THE-ART VRF TECHNOLOGY SYSTEM THAT DELIVERS SIMULTANEOUS HEATING AND COOLING TO ITS OCCUPANTS, PROVIDING THE ULTIMATE IN COMFORT, WHILE ITS DOUBLE HEAT RECOVERY SYSTEM MAXIMIZES SAVINGS.



## NO WASTED ENERGY

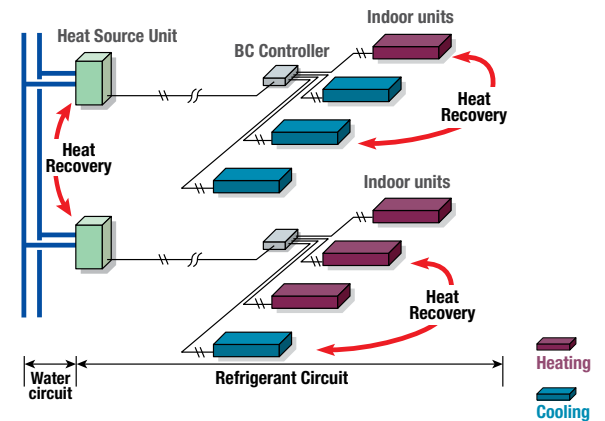
### WATER-SOURCE VRF DOUBLE RECOVERY

Mitsubishi Electric water source VRF offers the potential to maximize annual energy savings via double heat recovery system – moving energy on both the refrigerant and water-side of the system. As a result, the Mitsubishi Electric water source VRF system can satisfy the climate control needs of all occupants while simultaneously maximizing system energy efficiency.

### THE GEOTHERMAL ADVANTAGE

City Multi water source heat pumps are compatible with geothermal applications to deliver even greater energy efficiency.

## Double Heat Recovery (WR2)



# THE IDEAL CHOICE FOR NEW CONSTRUCTION OR RETROFIT/RENOVATION PROJECTS



## SPACE SAVING

City Multi condensing units can be installed indoors in spaces no larger than an average closet (as small as 880mm x 1150mm/34.5"x 45.5"), leaving you with more usable and more profitable square footage.



## ZONED CLIMATE CONTROL

Each indoor unit operates independently to optimize comfort within each zone. In addition, heating/cooling capacity is maximized by maintaining the set point temperature within 1°F/0.5°C and conditioning only occupied areas.



## SIMPLE INSTALLATION

No cranes required. The lightweight, compact 2-pipe system reduces the installation time and cost, where components can be easily transported through a building via an elevator. This translates into faster, less complex installation and ultimately lower operating cost for the building owner.



## QUIET OPERATION

City Multi indoor units operate as low as 22dB(A) at low speed while water source condensing units operate as low as 47dB(A). With standard indoor sound pressure levels measuring 45-55dB(A), our City Multi VRF systems are quiet enough to operate unnoticed even in a library.



## DESIGN FLEXIBILITY

City Multi offers a wide range of indoor unit styles to suit any interior design requirements, new or retrofit – ceiling, ducted, floor, wall or vertical. An array of control options is also available to meet the needs of different user groups — from simple wall controls and remote Internet access to comprehensive centralized controls that can be integrated into building management systems.



## ALL VOLTAGE OPTIONS

The City Multi water source system is available in all voltage options — 208V, 460V and even **575V**. Unlike the equivalent 208V systems, there can be up to 30% savings on installation cost when 575V units are applied to a project.

## **575V WATER-SOURCE VRF**

### **ANOTHER MITSUBISHI ELECTRIC FIRST**

To meet the needs of major commercial and industrial buildings across Canada, Mitsubishi Electric has introduced the only VRF system with a 575V option. This new voltage option affords significant downsizing of building electrical infrastructure primarily on ampacities of system conductors, protective devices and isolation devices. This also eliminates the need for step-down transformers and reduces installation time and cost.



### **COMMITTED TO THE CANADIAN MARKET**

Since 1979, our team of experts and professional sales network have helped consulting engineers, building designers, architects and contractors across Canada meet and exceed their heating, ventilation and air conditioning requirements. We understand your needs and strive to bring you the latest, most innovative HVAC technologies.

### **A CASE STUDY**

#### **PLACE DE L'ESCARPEMENT, QUEBEC CITY**

Place de l'Escarpement has achieved LEED-NC Gold certification as well as being designated one of the 10 most efficient buildings in its class in Canada. Its designers chose a City Multi water source VRF system to deliver simultaneous heating and cooling to more than 148,000 sq. ft. of floor space using geothermal energy.

System installed:

- Geothermal units – City Multi WR2 systems x 37
- Indoor Units – Ceiling-concealed units x 269
- Fresh Air Equipment – Lossnay/RenewAire HE2XINH x 7
- Controller - Centralized Controller G-50A x 7
  - E-mail Notification License x 7
  - BACnet Interface x 7
  - Simple Remote Controller x 269

